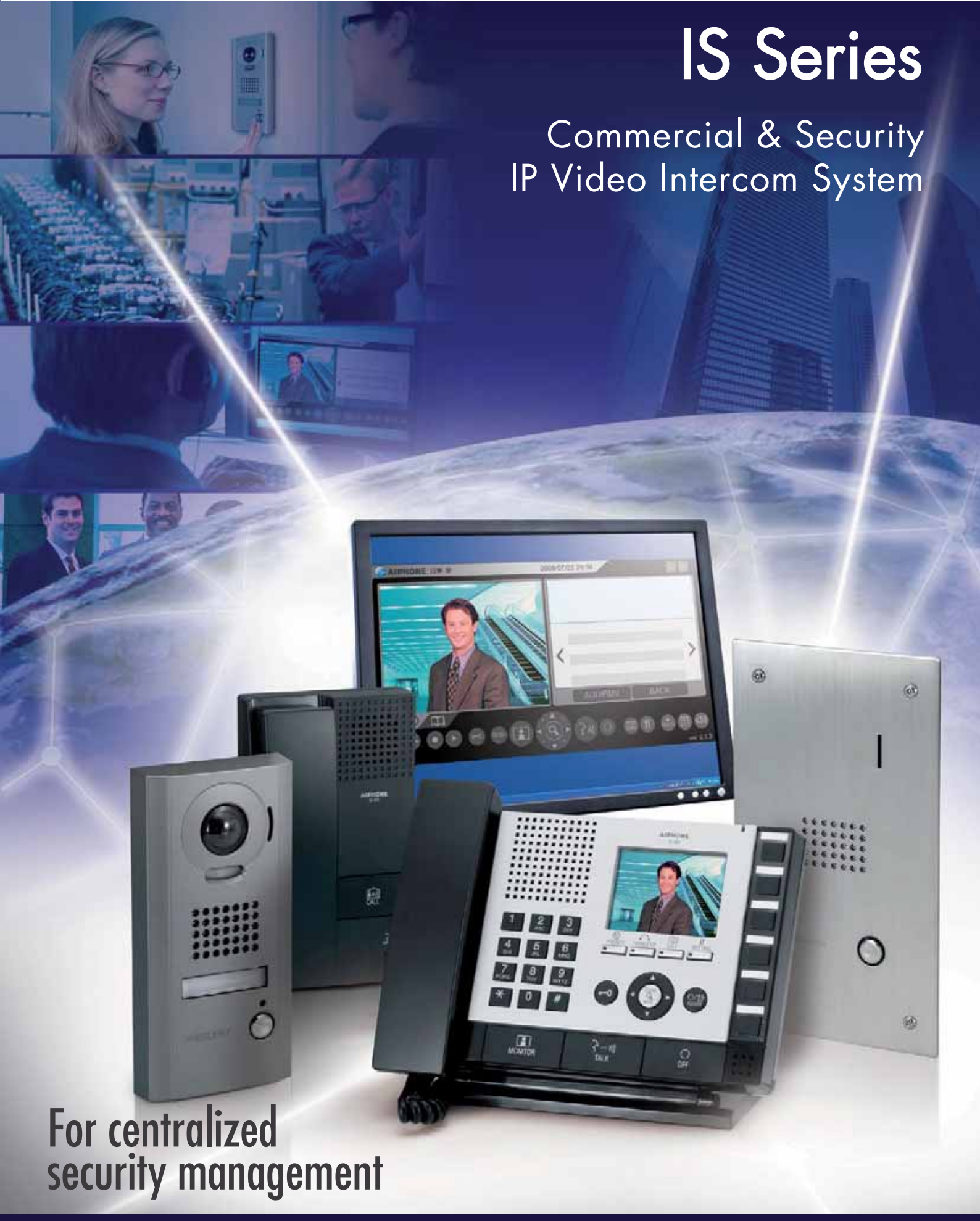


AIPHONE

IS Series

Commercial & Security
IP Video Intercom System



For centralized
security management

Make Security Manageable World Wide!

The IS Series can be used as a hardwired network system for for a central controlled system across a number of facilities.

What IS Series can do

- Assists onsite visitors from any offsite Master Station.
- Up to 160 Master Stations, 160 Video Door Stations, 960 Room Sub Stations can be combined per site.
- High performance color video intercom features.
- Your PC can be used as a Master Station.



IS-IPMV
IP Master Station



IS-RS
Room Sub Station



IS-IPDV
IP Vandal-resistant
Video Door Station,
Surface Mount



IS-IPDVF
IP Vandal-resistant
Video Door Station,
Flush Mount



IS-SS
Vandal-resistant
Door Station,
Flush Mount

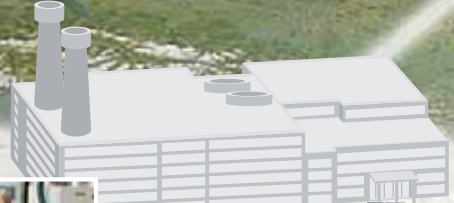
a small application, or as an IP network system



OFFICE 2



LOGISTIC PORT



FACTORY



IS Series Features



IP-based security system works beyond distance

Facilities with IP networks can be controlled from a distance. It can make centralized security management simple and easy.

From small to large facilities

The IS Series is designed to be used for a variety of facilities: commercial buildings, hospitals, educational institutions, and more. It can flexibly adapt to a variety of scales and conditions. Optional devices, such as security cameras and alarms can be added to complete your system.

Hardwired Network System



IP Network System



Panoramic wide angle view and Zoom & PanTilt for higher security

To provide effective security, the IS Series features a wide angle camera enabling you to see a panoramic view! People standing on the sides and people of all heights can be easily identified.

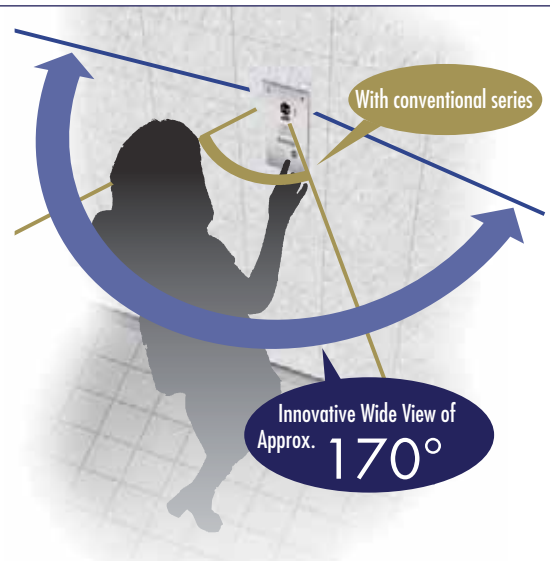
Zoom & PanTilt

You can change the camera angle and zoom in the image to see exactly where you want.



Wide Mode

Zoom & PanTilt Mode





Audio Sub Station is available

You can choose the Audio Sub Station. There are 2 styles available, a handset or a hands-free option.



Your PC can be used as the Master Station (IS-SOFT)

You can use your PC just like the Master Station by installing the IS software.

* It may not be available depending on your PC or OS version.



Other Functions

Schedule Chime

Program daily Chime by the day, week, or month. Create different schedules for holidays, breaks, or after hours.

Forward Unanswered Calls Automatically

If a Master Station is not answered, have the call forwarded to another Master, or a group of Masters.

Emergency Broadcasts

Create zones to broadcast emergency announcements quickly.

Create Unique System Settings

Save system settings, then export and upload them to another system.

Customize Sounds

Load up to 15 Pre-recorded messages or sound source.

Transfer Video Calls

Call-ins from a Video Door Station can be transferred to any standard or PC Master Station on the network for easy identification.

Browser Based Set-up

Simply use a browser to get on-line and set-up, change, or customize the IS systems.

Paging

You can make a page from the Master Station to other Master Stations, Door Stations, and Room Sub Stations.

Solutions for Your Security Needs.



Large Corporations

Protect staff by giving them the advantage to safely confirm the identity of visitors and vendors before granting access into the building.



Airports

Communications between several departments at separate area of the facility.



Schools

Broadcast messages throughout the school or to a particular classroom with the choice of either a hands-free or handset Room Sub Station.



Shopping Mall

Prompt action in emergency conditions, such as quick call to a disaster control center, is easy using internal communication between tenants.



Hospitals

Increase staff efficiency by controlling various entrances from a central location. Easily transfer responsibilities to another location or individual.



Parking Garages

Assist visitors and monitor multiple garage entrances from remote locations during or after hours.

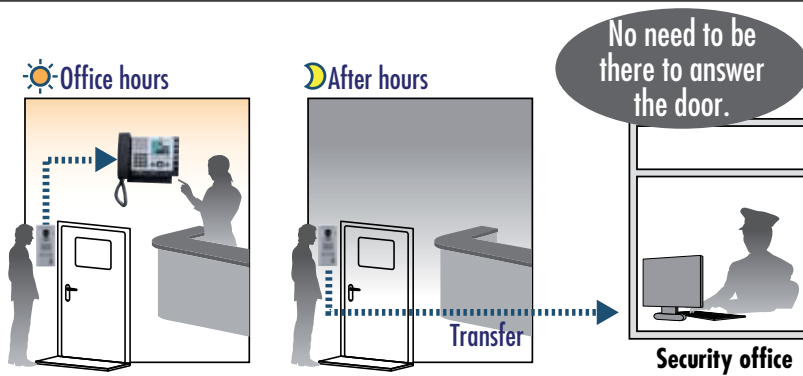


The IS Series allows you to manage your door entry security via a LAN/WAN network and gives you the freedom to choose your security system.

Usage Example

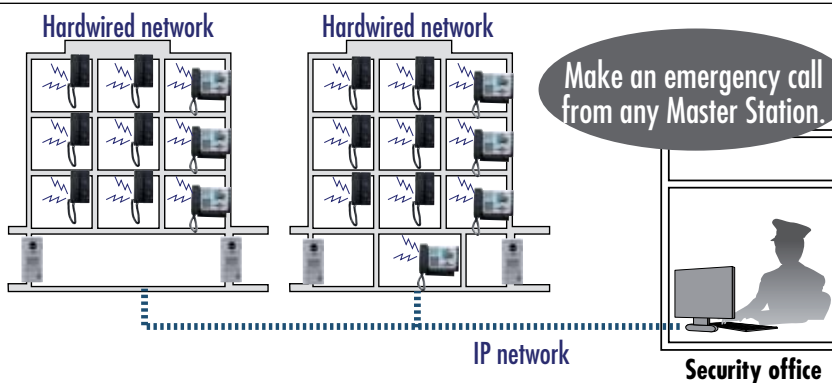
For offices

Identify or help visitors at reception desk during office hours, and then from another location, such as a security office, after hours. Automatic start and end times for transferring can be set using the time schedule settings.



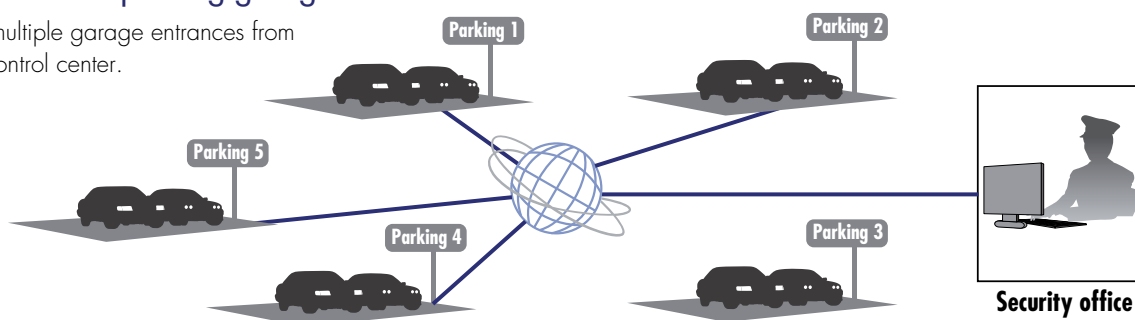
For schools, factories, etc.

Announce emergencies from any Master Station to other Master Stations/Room Sub Station on the network (Should not be a return here). You can also page and program daily announcements/chimes by day, week, month, or year.



For unattended parking garages

Control multiple garage entrances from remote control center.



Up to 160 Master Stations, 160 Video Door Stations, and 960 Room Sub Stations can be combined per site.

* Depending on combinations, the number above may not be applied. See the "MUMXIMUM SETTING NUMBER" on page 10 for the details.



×160/site



×160/site



×960/site

System Components

For IP System

Up to 32 units can be connected in a site

IP Master Stations

Up to 32 units / site



IS-IPMV

IP master station w/Wide and Zoom & PanTilt color monitor

- Directly connectable to IP network
- 3.5 inch display for operation and video monitoring
- A variety of display modes designed for assisting your operation
- Hands-free, press-to-talk or handset audio communication
- Direct voice call from master station to another station
- Either power supply unit (PS-2420 / S / UL) or PoE

PC IP Master Stations

Up to 31 units / site



IS-SOFT

PC application

- PC software with full master station functions
- 7 languages (English, French, Spanish, German, Dutch, Italian & Japanese) are selectable for displaying windows
- Various settings are possible from 9 setting windows
- The application is compliant with Windows XP, Windows VISTA and Windows 7.

IP Video Door Stations



IS-IPDV

Wide and Zoom & PanTilt Vandal-resistant IP video door station, surface mount

- Directly connectable to an IP network
- Approx. 170° range wide view video camera
- Door release output
- Directory card with backlight
- White light LED to illuminate the visitor automatically at night
- System settings are possible on the connected PC
- Either power supply unit (PS-2420 / S / UL) or PoE



IS-IPDVF

Wide and Zoom & PanTilt Vandal-resistant IP video door station, flush mount

- Directly connectable to an IP network
- Approx. 170° range wide view video camera
- Door release output
- Directory card with backlight
- White light LED to illuminate the visitor automatically at night
- System settings are possible on the connected PC
- Either power supply unit (PS-2420 / S / UL) or PoE

Up to 32 units / site

IP Control Unit



IS-IPC

IP Control Unit

- Configures a standard (IP) system connecting with an IP network
- Connectable with either a central control unit (IS-CCU) or room sub control unit (IS-RCU)
- System settings are possible on the connected PC
- Either rack-mounting (into 19-inch rack) or wall-mounting is possible

Up to 8 units / sites

For Hardwired System

Master Stations

up to 160 units / site



IS-MV

Master station w/Wide and Zoom & PanTilt color monitor

- 3.5 inch display for operation and video monitoring
- A variety of display modes designed for assisting your operation
- Hands-free, press-to-talk or handset audio communication
- Direct voice call from master station to master station

Audio Stations



IS-RS

Room Sub Station

- Calling up to 20 pre-programmed master stations all together
- Remote site calling and communicating capability (required IS-IPC)
- External speaker can be connected
- A option input and a option output
- Hands-free, press to talk or handset audio communication

Control Unit



IS-CCU

Central control unit

- Configures a local system with up to 2 add-on control units, 4 room sub control units, in total 20 master stations, 120 sub stations and 28 PA outputs
- 4 PA outputs, 2 chime inputs, 2 video outputs
- System settings are possible on the connected PC
- Either rack-mounting (into 19-inch rack) or wall-mounting is possible

Master Stations



IS-DV

Wide and Zoom & PanTilt Vandal-resistant video door station, surface mount

- Approx. 170° range wide view video camera
- Door release output
- Directory card with backlight
- White light LED to illuminate the visitor automatically at night
- Calling up to 20 pre-programmed master stations all together



IS-DVF

Wide and Zoom & PanTilt Vandal-resistant video door station, flush mount

- Approx. 170° range wide view video camera
- Door release output
- Directory card with backlight
- White light LED to illuminate the visitor automatically at night
- Calling up to 20 pre-programmed master stations all together

Up to 160 units / site



IS-SS

Vandal-resistant door station, flush mount

- Calling up to 20 pre-programmed master stations all together
- Remote site calling and communicating capability (required IS-IPC)
- Door release output

Up to 960 units / site



IS-SCU

Add-on control unit

- Adds up to 8 master stations and 8 sub stations in a local system
- 4 PA outputs
- 5 trigger conditions selectable for contact output
- Either rack-mounting (into 19-inch rack) or wall-mounting is possible



IS-RCU

Room sub control unit

- Connectable with up to 30 room sub stations
- Connectable with either an IP control unit (IS-IPC) or central control unit (IS-CCU)
- 4 PA outputs
- 5 trigger conditions selectable for contact output
- Either rack-mounting (into 19-inch rack) or wall-mounting is possible

Power Supplies



IS-PU-UL

IS-PU-S

Power supply

- Either rack-mounting (into 19-inch rack) or wall-mounting is possible by using the optional IS-RACK



PS-2420UL

PS-2420S

PS-2420

Power supply

Rack



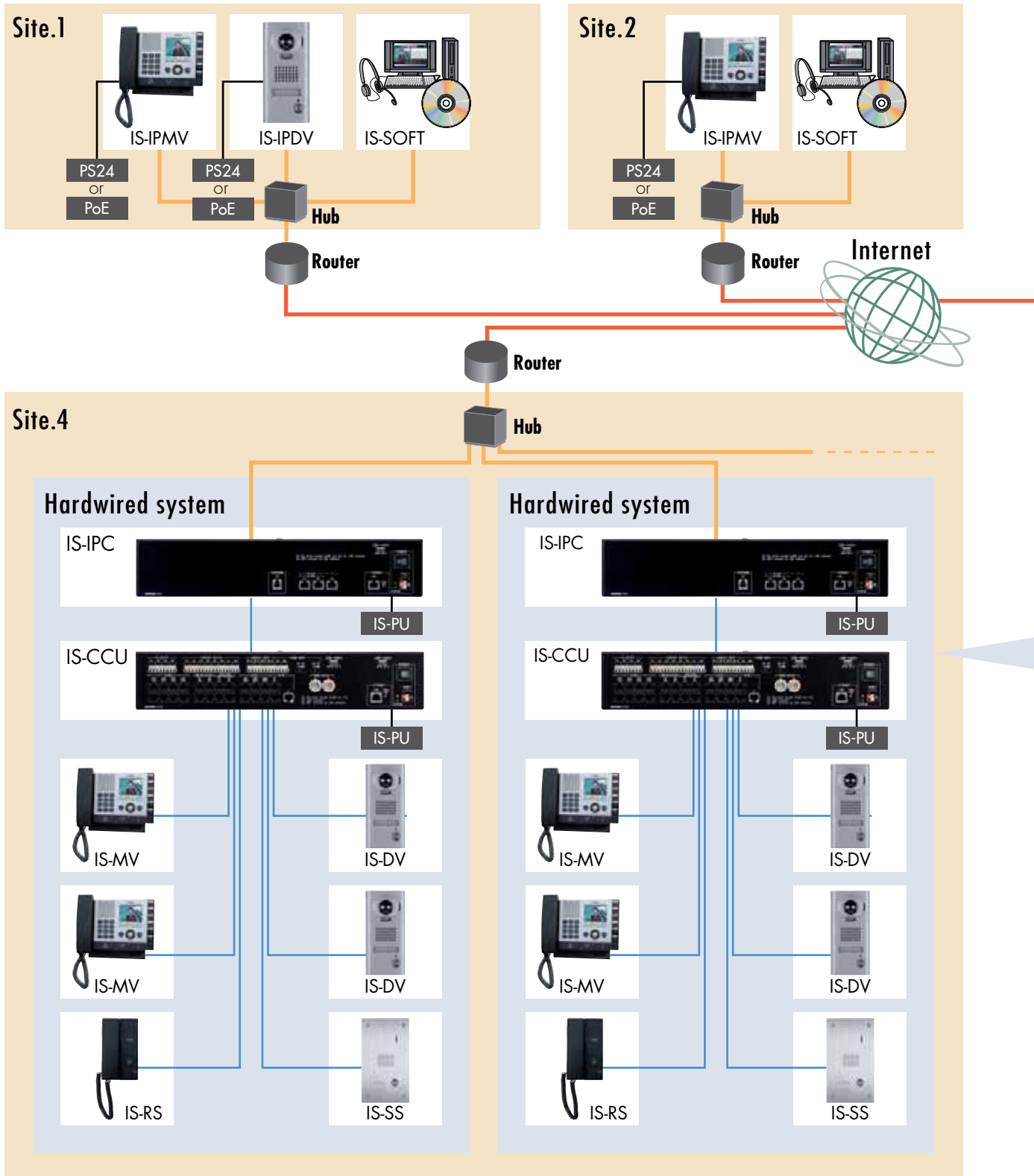
IS-RACK

- Rack for power supply

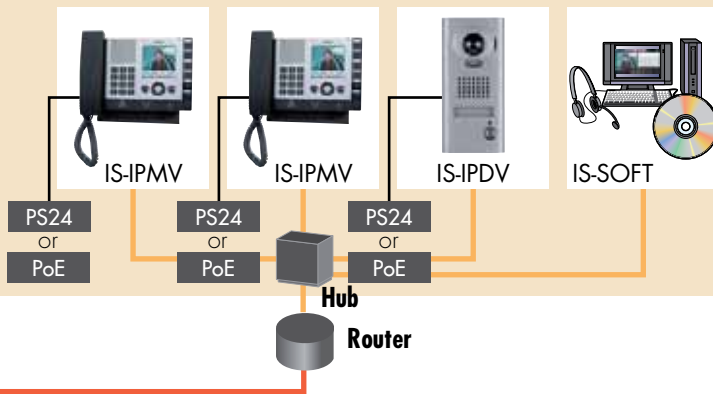
System Configuration

IP System

WAN system



Site.3

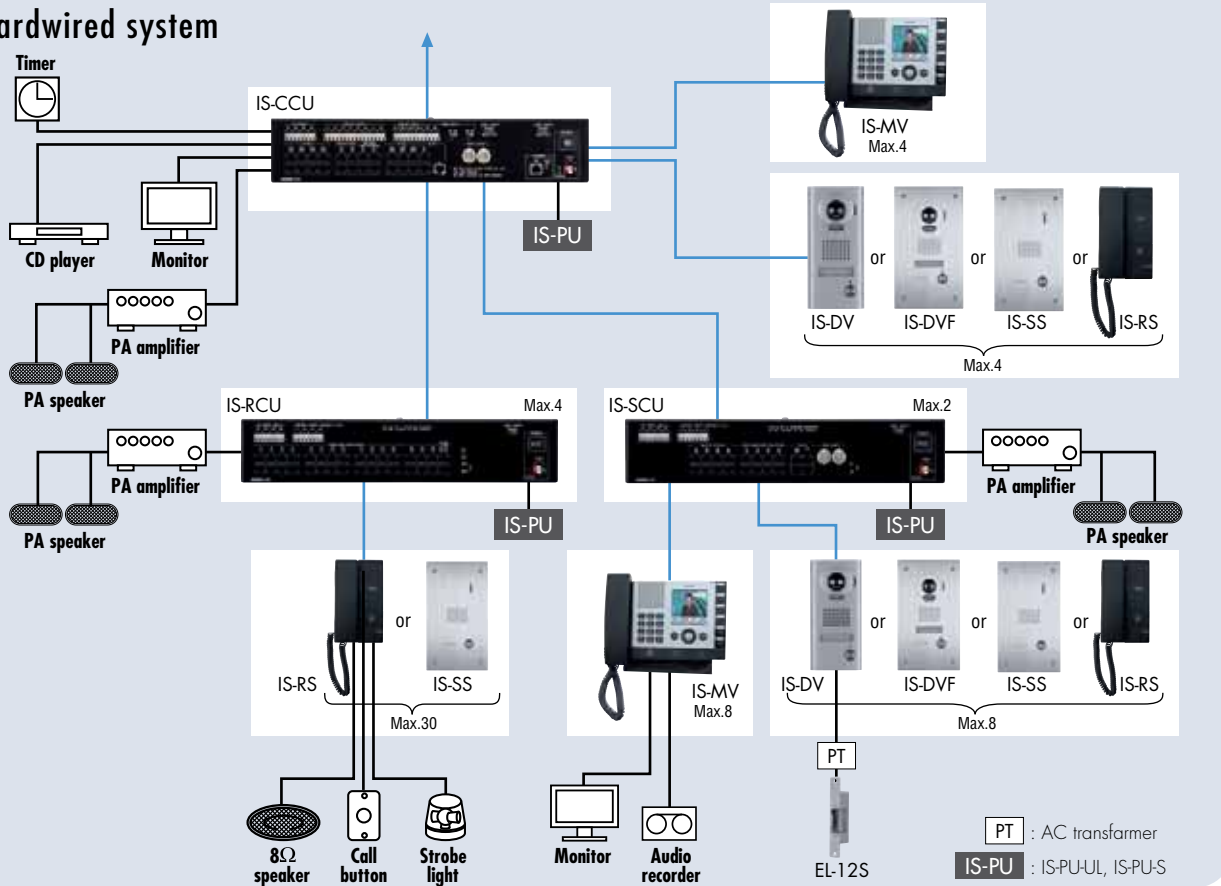


- WAN system
- LAN system
- Hardwired system

PS24 : PS-2420, PS-2420S, PS-2420UL

IS-PU : IS-PU-UL, IS-PU-S

Hardwired system



PT : AC transformer

IS-PU : IS-PU-UL, IS-PU-S

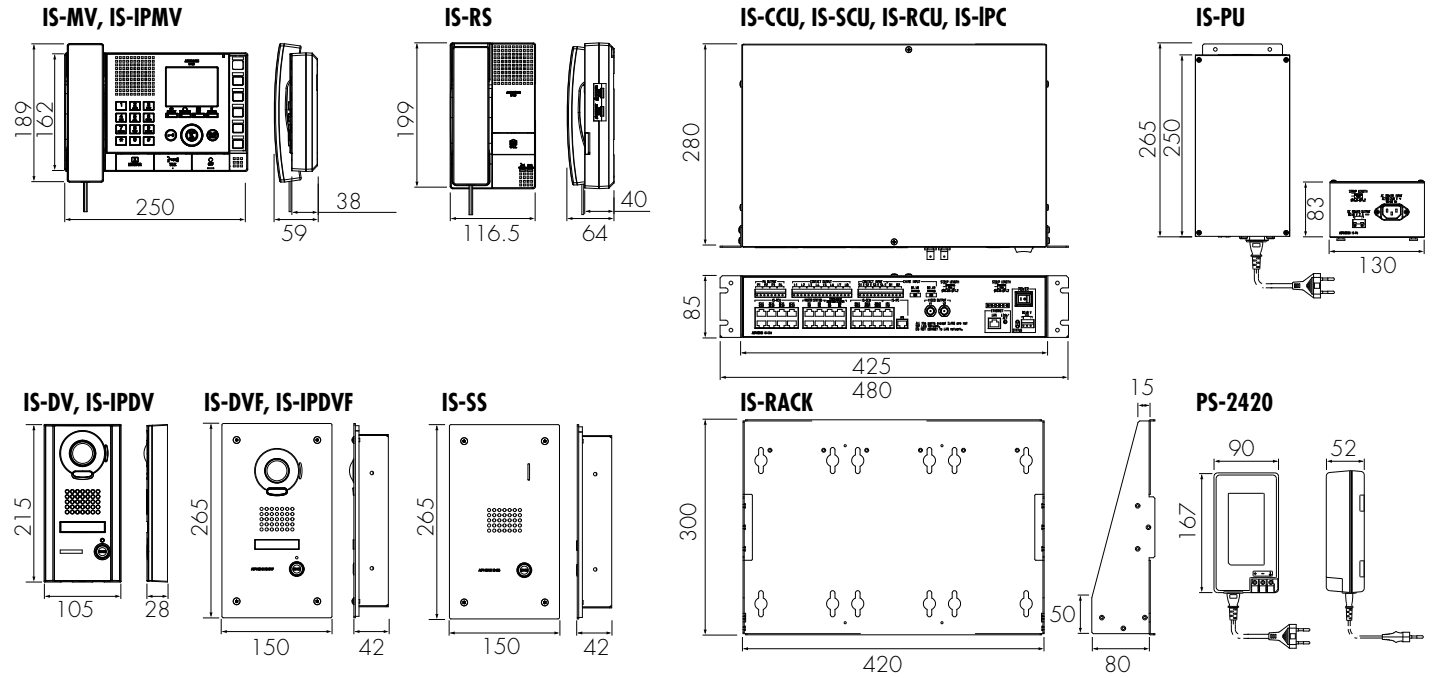
Maximum Setting Number

	Local System	IP Network System		Local System	IP Network System		Local System	IP Network System
IS-IPMV	–	32/Site*2	IS-MV	20	160/Site*1	IS-CCU	1	8/Site*1
IS-IPDV	–	32/Site*2	IS-DV	20	160/Site*1	IS-SCU	2	16/Site*1
IS-IPDVF	–	32/Site*2	IS-DVF	20	160/Site*1	IS-RCU	4	32/Site*1
IS-SOFT	–	PC 31/Site*2	IS-RS	120	960/Site*1			
IS-IPC	1	8/Site*1	IS-SS	20	160/Site*1			

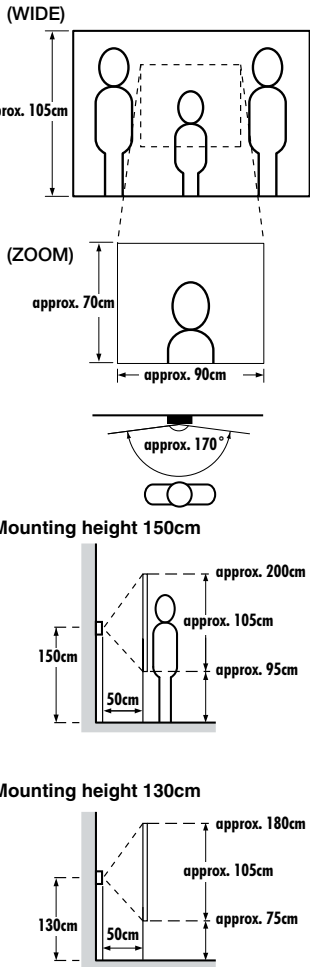
* 1: In the case 8 local systems are IP-connected.

* 2: At least 1 IS-IPC, IS-IPMV, or IS-IPDV is required. Up to 32 including PC Master Station, IS-IPMV, and IS-IPDV.

■ UNIT DIMENSIONS(mm)



■ CAMERA POSITION



■ FUNCTIONAL SPECIFICATION

Item	Video Door Station	Audio Station	Master Station	IP Video Door	IP Master Station	PC application
Hands-free	✓	✓	✓	✓	✓	—
Press-to-talk	—	—	✓	—	✓	✓
Handset	—	✓	✓	—	✓	—
Talk transfer	—	—	✓	—	✓	✓
Video identification at door call	—	—	✓	—	✓	✓
Answering to door call	—	—	✓	—	✓	✓
Door release (contact output)	—	—	✓	—	✓	✓
Call forwarding on door call	—	—	✓	—	✓	✓
Absence transfer on door call	—	—	✓	—	✓	✓
Zone page to door station	—	—	✓	—	✓	✓
Direct Voice call and talk-back	—	—	✓	—	✓	✓
Monitor of door camera image / microphone	—	—	✓	—	✓	✓
Answering to master call	✓	✓	✓	✓	✓	✓
Answering to PC master call	✓	✓	✓	✓	✓	✓
Zone paging	—	—	✓	—	✓	✓
Zone chime of external sound source	—	—	✓	—	✓	✓
Zone chime of internal sound source	—	—	✓	—	✓	✓
E-mail at set trigger (small number of addresses)	✓	✓	—	✓	—	—
Normal or error status supervision	—	—	✓	—	✓	✓
Notification on contact input	—	—	✓	—	✓	✓
Video output	—	—	✓	—	—	—

The image on the monitor is simulated to explain the functions. It is different from the actual image.

Distributed by :

Deming Prize



Deming Medal

ISO 9001



ISO 9001 Certified
JQA-0291
AIPHONE CO., LTD.

ISO 14001



ISO 14001 Certified
JQA-EM0453
Headquarters section
Toyota Factory
Taibo Site
AIPHONE CO., LTD.

AIPHONE®

Providing Peace of Mind

<http://www.aiphone.net/>

IS(E)1102A