

# Open Voice Intercom

MASTER **1** ▶ SUB **3** **LEM**

## Master station



**LEM-1**  
1-call master



**LEM-3**  
3-call master

## Door station



**LE-D**  
Sub station  
→ P.78



**LE-DA**  
Sub station  
→ P.78

## Room sub station



**LE-A**  
Sub station  
→ P.78



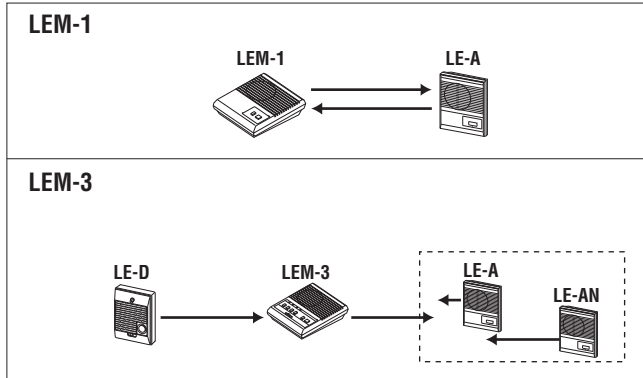
**LE-AN**  
Privacy sub  
→ P.78

**Power supply**  
**PS-0602D PS-0602C** → P.107

## Features

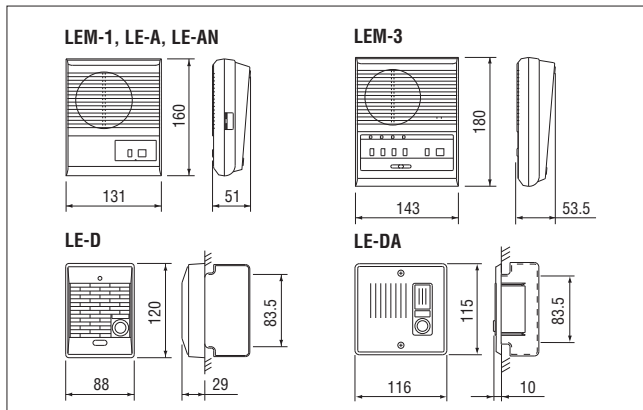
- Open voice communication
- Push-to-talk at master, hands free at remote
- LE sub stations: either door station or room sub station
- Voice volume control

## Communication network

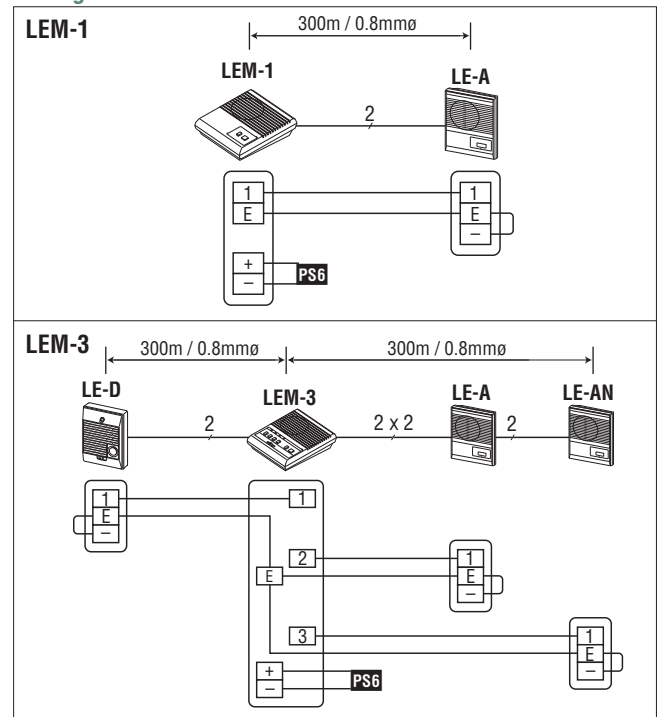


LEM-1; Tone or voice. LEM-3; Selective call w/tone or voice. Tone and LED from sub

## Unit dimensions



## Wiring



★ Do not remove shorting link on subs. **PS6**: PS-0602D, PS-0602C

## Specifications (LEM)

Power source	6V DC, 200mA
Power supply	PS-0602D, PS-0602C
Communication	Sub calls in w/tone and LED, 20 sec. Depress selector button and press or release TALK button. Sub called by tone or voice. Reply hands-free.
Output	350mW output, adjustable
Wiring	2 parallel wires per sub, non-polarized
Wiring distance	LEM to sub 200m(0.65mmø) 300m(0.8mmø)